

## C.F. Whaler Ltd.

For over 40 years C.F. Whaler Ltd. have specialised in the design, manufacture and installation of state of the art electrical and electronic control systems and equipment for agriculture and industry.

The company offers large comprehensive range of standard manufactured products to satisfy the majority of environmental control requirements, and a service to build to customers specific requirements.

C.F. Whaler Ltd., also offer a consultancy service, based on engineers considerable knowledge and expertise in resolving the many environmental problems associated with intensive livestock production units.

### WHALER PRODUCT RANGE

- Fan Speed Controllers.
- Automatic Fan Controllers with switched Heater Interlocks.
- Electronic Sequential fan Controllers.
- PRESCON 2 Digital Air-Pressure controller.
- Lighting Control Systems.
- Total Refurbishment Programmes.
- Maintenance Contracts.

## C.F. Whaler Ltd.

- WHALER MICROLIGHT**  
"Dawn to Dusk" Controls
- High and Low Temperature Alarms
- Supply failure Alarms
- Alarm Monitoring Systems
- Magnetically Held Door Control Systems
- MICRO-STAT Digital Thermostat.
- MICRO-TIMER Digital Cycle Timer.
- Transducers, Sensors and Thermostats.
- Vent Drive Motors/linear Actuators and Power Supplies
- STICK Microcomputer Total Environment Controller

For further details of any product or service please do not hesitate to contact us:-

Bridge Works, Horncastle Road  
Wragby, Lincoln LN8 5RB  
Tel: 01673 857575  
Fax: 01673 857788



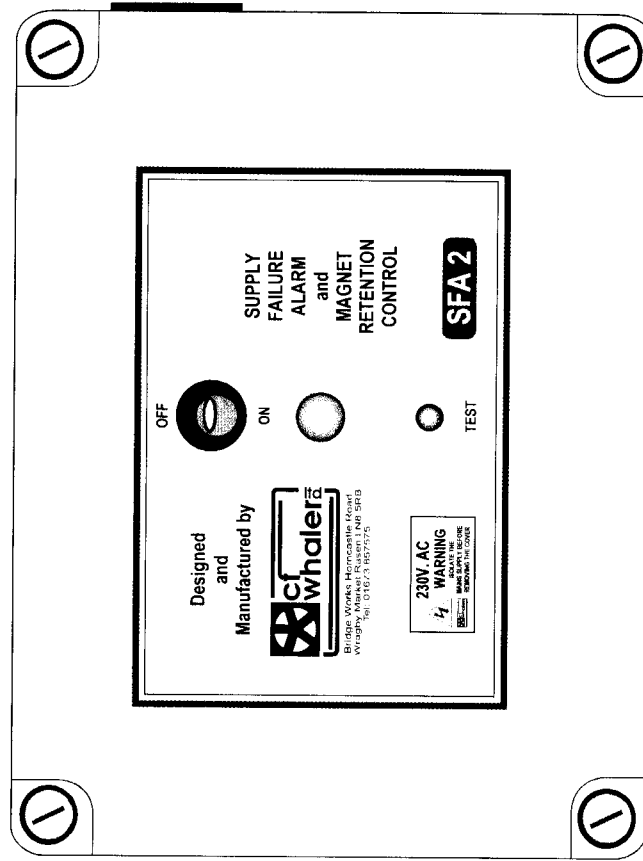
Ventilation Engineers  
and  
Controlled Environment  
Specialists

# SFA 2

## SUPPLY FAILURE ALARM

MAINS FAILURE AND OVER TEMPERATURE ALARM  
MAGNETIC COIL SUPPLY WITH BATTERY CHARGER

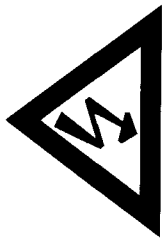
PLEASE READ IMPORTANT INFORMATION



# C.F. Whaler Ltd

Bridge Works Horncastle Road  
Wragby Market Rasen LN8 5RB  
Tel: 01673 857575  
Fax: 01673 857788

# HEALTH AND SAFETY AT WORK



**DANGER**  
**ELECTRIC SHOCK RISK**

## ELECTRIC DEVICES CAN CONSTITUTE A SAFETY HAZARD

It is the responsibility of the user to ensure that the installation and maintenance of the product are carried out in strict compliance with any relevant instructions, regulations, codes of practice or bylaws in force.

This equipment should only be installed and commissioned by appropriately qualified personnel who have read and fully understood this users manual. If in doubt contact your supplier or C.F. Whaler Ltd. for technical advice.

Every care has been taken to ensure that the contents of this instruction booklet are accurate, however no liability is accepted for any consequence of its use. The manufacturers reserve the right to revise the product specification and other technical features resulting from improvement and continual development.

## SFA 2 SPECIFICATIONS

- Supply .....230v 50hz -6% +10% 60va.
- Battery Ratings..... 12v 1.2 AH.
- Hooter Supplies ..... 12v. and 24v.d.c.
- Alarm indicating signal .....24v d.c.
- Over temperature thermostat contacts..... Normally Closed
- Supply Failure Alarm Delay .....approx. 10 Seconds
- Output Magnetic coil Supply.....24v.d.c. Driving up to a maximum of 10-14kg or 30lb Magnets

## DESCRIPTION

The SFA 2 Supply Failure Alarm system provides the user with a device for operating magnetically retained doors, detection of public electricity supply failure and an over temperature within a given environment. The internal dual battery circuit is maintained fully charged by the trickle charging circuitry so that when an emergency occurs the SFA 2 provides a 24v and a 12v supply to drive a suitable hooter. If the public electricity supply fails an approximate ten-second delay occurs before the relay contacts change over switching the magnets off and operating the hooter via the internal 24v and 12v supply. The operation of the hooter will be maintained, until the supply returns or the internal batteries discharge.

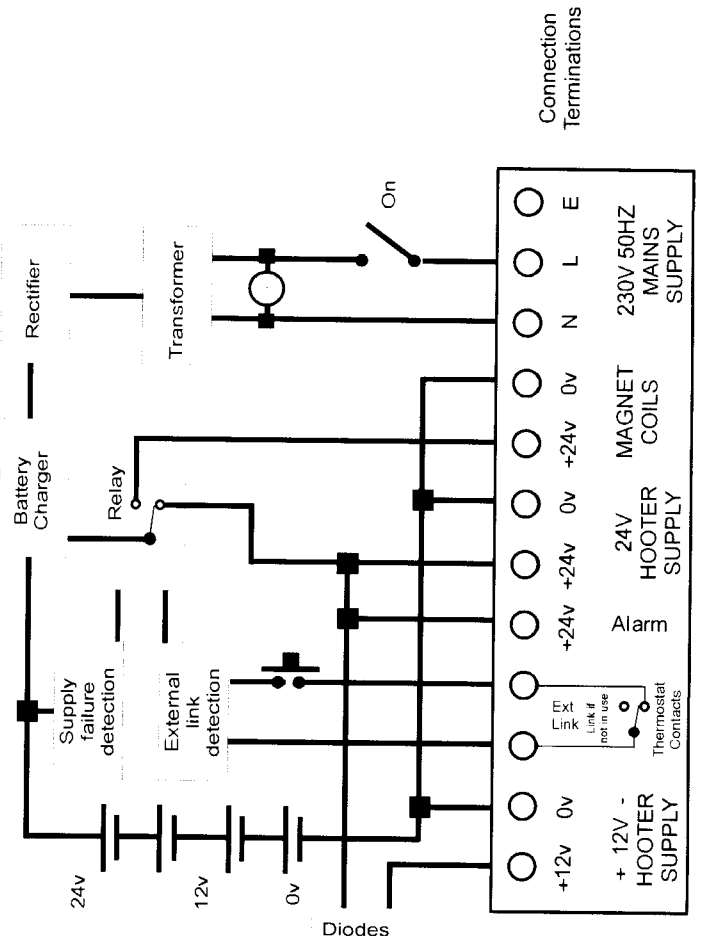
The over temperature terminations are connected to an external thermostat, the contacts of which must be made until the temperature exceeds the maximum desired. Again the hooter will maintain operation until the temperature has fallen below the set desired maximum value or the internal batteries discharge. Link the over temperature terminations together [ext link] if this facility is not required. A test button is provided on the front panel for weekly testing of the alarm system also a switch to isolate the 24v and 12v hooter and the 230v supplies.

## BATTERY CONNECTIONS AND CHARGING

It is essential that the internal batteries are connected with the correct polarity (RED wire to Positive, BLACK wire to Negative) to the battery terminals. Failure to connect correctly will cause damage to the circuitry for which C.F. Whaler Ltd cannot accept responsibility.

The battery charging rate is set by the manufacturer and should not require any further adjustment, however if necessary, it is possible to increase or decrease the charging rate by adjustment of the potentiometer on the circuit board. It is advisable to consult C.F. Whaler Ltd before any adjustments are made.

## SFA 2 SYSTEM CONNECTIONS



Connection Terminations