

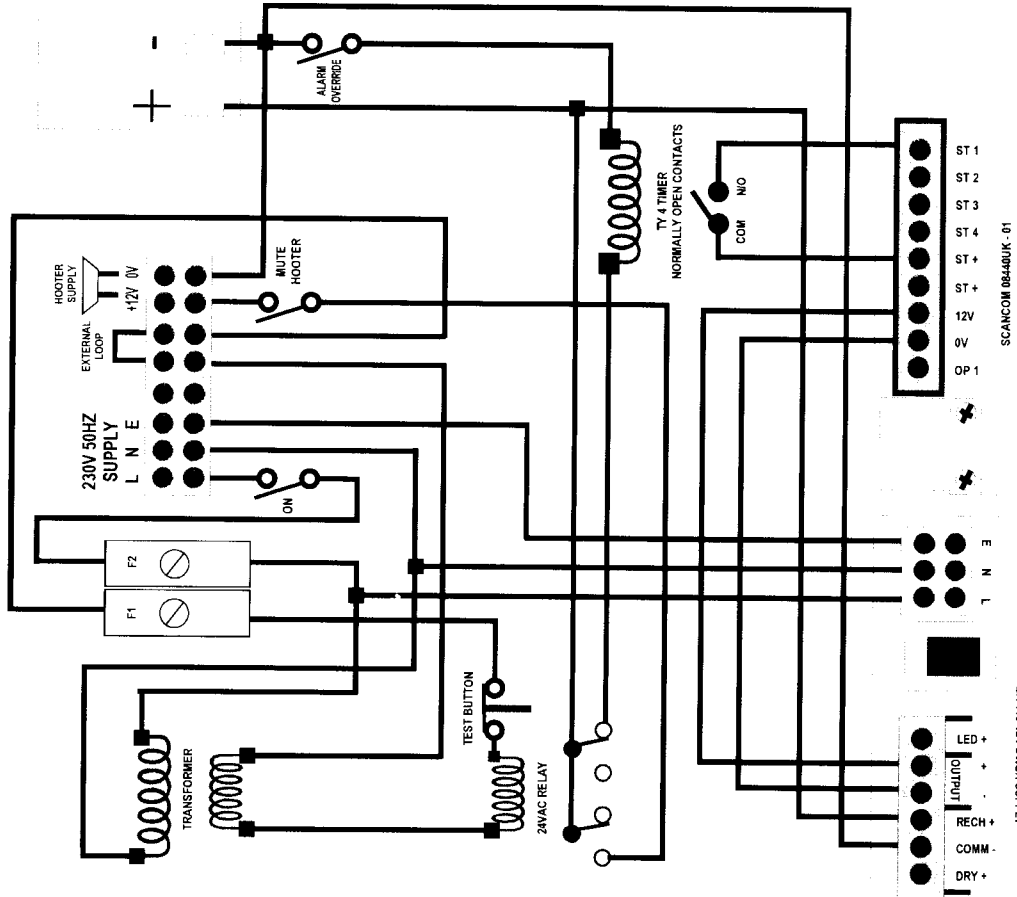
8440-01 MINICOM AUTO DIALER

The SFA 4 unit contains an 8440-01 Minicom Digital Communicator [Auto Dialer] printed circuit board that incorporates a plug-in NVM chip [Non Volatile Memory] which is programmed by your base /monitoring station to automatically dial specified telephone numbers should a fault occur. Full details are provided within the extensive installation manual provided with the 8440-01 dialer unit.

3GSTU BOARD [BT REDCARE SERVICE]

The SFA 4R unit incorporates this additional board which provides in conjunction with British Telecom, a BT line monitoring service that informs the base or monitoring station when a line fault occurs. Full operational details are provided in the additional handbook supplied with unit.

SFA 4 WIRING DIAGRAM



ER 115-12 POWER SUPPLY

SCANCOM 08440UK-01

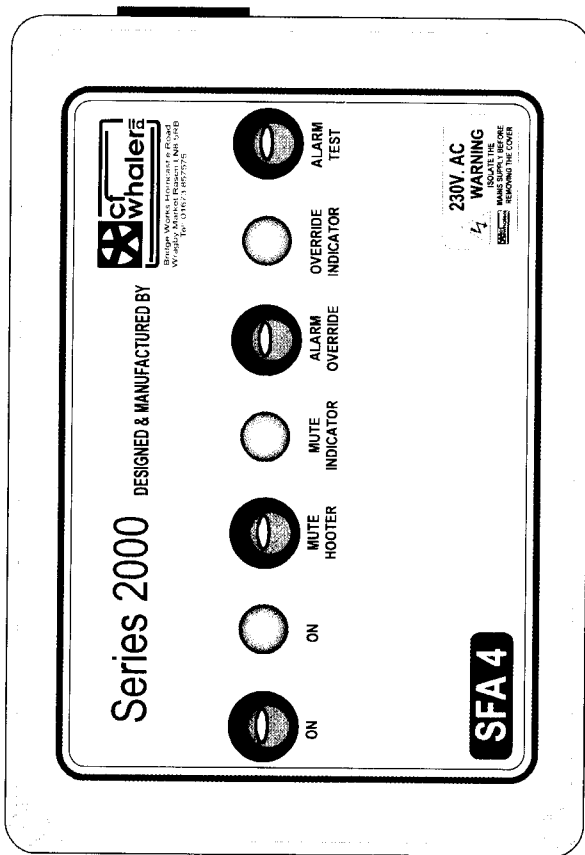


Ventilation Engineers
and
Controlled Environment
Specialists

SFA 4 and SFA 4R

ALARM AUTO-DIALLER

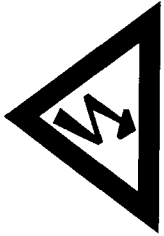
PLEASE READ IMPORTANT INFORMATION



C.F. Whaler Ltd

Bridge Works Horncastle Road
Wragby Market Rasen LN8 5RB
Tel: 01673 857575
Fax: 01673 857788

HEALTH AND SAFETY AT WORK



DANGER
ELECTRIC SHOCK RISK
ELECTRIC DEVICES CAN CONSTITUTE A SAFETY HAZARD

It is the responsibility of the user to ensure that the installation and maintenance of the product are carried out in strict compliance with any relevant instructions, regulations, codes of practice or bylaws in force.

This equipment should only be installed and commissioned by appropriately qualified personnel who have read and fully understood this users manual. If in doubt contact your supplier or C.F. Whaler Ltd. for technical advice.
Every care has been taken to ensure that the contents of this instruction booklet are accurate, however no liability is accepted for any consequence of its use.
The manufacturers reserve the right to revise the product specification and other technical features resulting from improvement and continual development.

SFA 4 SPECIFICATIONS

Supply	230v 50hz -6% +10%
"Failsafe" Supply.....	12V Internal Battery
Power Rating.....	30VA
Hooter Output..	12V 500Ma
Adjustable timer Delay	0-3 Minutes
Overload Protection [Supply & Alarm Loop	2- 20mm [Type T] 5A Fuses

DESCRIPTION

The SFA 4 Auto Dialer System provides when a fault occurs, automatic telephone dialling of pre-programmed telephone numbers. There is an adjustable time delay between the commencement of the fault and the starting of the auto dialling sequence.

When a fault occurs due to mains failure or an over temperature etc., either relay or thermostat within the alarm external loop will open circuit. This immediately causes the activation of the hooter or an alternative alarm indicating device. After an adjustable time delay [maximum 3 minutes] the Auto-Dialler will automatically telephone certain specified pre-programmed numbers to inform a base station that a fault has occurred at a particular location. If the fault is due to mains supply failure the unit will still function due to an internal 12V d.c. standby supply provided by a rechargeable battery.
The SFA 4R provides greater site protection by employing British Telecom RED CARE service which monitors BT lines and informs the base station when a line fault occurs.

ON / OFF SWITCH

This switch controls the entire unit. When the indicator lamp is on the SFA 4 Auto Dialer is in a prepared state. Should this switch be placed in the OFF position the SFA 4 will immediately respond by activating the hooter and after a set time delay the Auto Dialer will function.

MUTE HOOTER SWITCH

To stop the hooter operating the "MUTE HOOTER" switch is switched so that the "MUTE INDICATOR" lamp is on. This will prevent the Auto Dialer from automatically telephoning the base station if a fault occurs or the SFA 4 supply switch is in the OFF position.

ALARM OVERRIDE SWITCH

To prevent the Auto Dialer automatically telephoning the base station after a set delay period, the "ALARM OVERRIDE" switch is switched so that the "OVERRIDE INDICATOR" lamp is on. Should a fault now prevail, the hooter will immediately function assuming that the "MUTE HOOTER" is not applied.

ALARM TEST PUSH-BUTTON

This push button allows the user to simply test the SFA 4 unit with respect to operation of the hooter. It is also possible to test the Auto Dialer function if the push button is maintained pressed for a period longer than the set time delay normally employed between the fault occurring and the Auto Dialer functioning.

TIME DELAYS RELAY

It is possible to adjust the time delay [0-3 minutes] between the fault occurring and the Auto Dialer functioning by re-positioning the slot on top of the timer relay with a suitable flat bladed screwdriver. Switch off the mains supply to the SFA 4 unit before opening the cover. The timer relay is identified by the LED indicators and timing scale on top of the relay.

STANDBY SUPPLY

The SFA 4 unit contains its own power supply and battery charger for the maintenance of the 12V d.c. standby supply. The charger is factory set and should not require any adjustments.

FUSES

Switch off the mains supply to the SFA 4 unit before opening the cover.

The left hand fuse F1 20mm 5A protects the SFA 4 low voltage internal loop circuit against overload. Should this fuse fail the hooter will function even if a short circuit is applied across the external loop terminals 5 and 6

The right hand fuse F2 20mm 5A protects the SFA 4 step down transformer and the power supply. Should this fuse fail the hooter will immediately operate and will remain operating until either the "MUTE HOOTER" switch is switched to mute or the internal battery is discharged.